

PROPRIETARY AND CONFIDENTIAL
 THE INFORMATION CONTAINED IN THIS DRAWING IS THE SOLE PROPERTY OF BEA INC. ANY REPRODUCTION IN PART OR AS A WHOLE WITHOUT THE WRITTEN PERMISSION OF BEA, INC. PROHIBITED.

MATERIAL:
 FINISH:
 VENDOR: --

UNLESS OTHERWISE SPECIFIED:
 DIMENSIONS ARE IN MILLIMETERS.
 DO NOT SCALE DRAWING.
 CAD GENERATED DRAWING.
 DO NOT MANUALLY UPDATE.

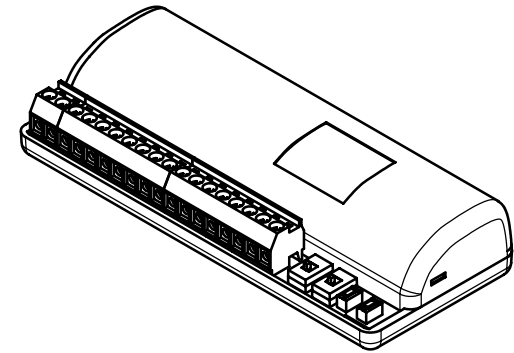
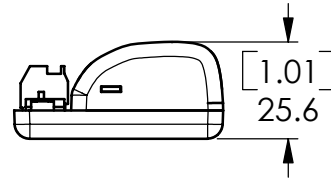
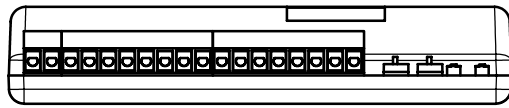
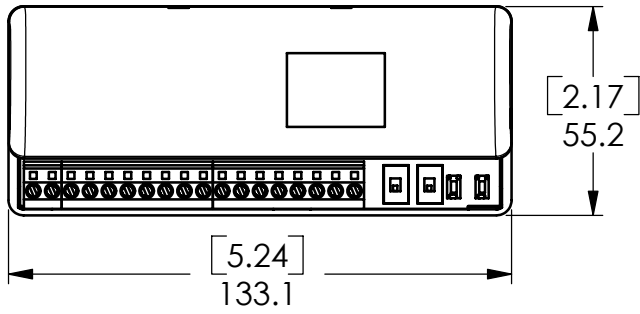


BEA, INC.
 100 Enterprise Drive
 Pittsburgh, PA 15275
 (412)249-4100
 www.beainc.com

		Dimensional Tolerances									
Dimension in mm	>0.5 to 3	> 3 to 6	> 6 to 30	> 30 to 120	> 120 to 400	>400 to 1000	> 1000 to 2000	> 2000 to 4000	> 4000 to 8000	> 8000 to 12000	
Tolerance	± 0.1	± 0.1	± 0.2	± 0.3	± 0.5	± 0.8	± 1.2	± 2	± 3	± 4	
		Angular Tolerance									
Angle	... 10	> 10 to 50	>50 to 120	> 120 to 400							
Tolerance	± 1°	± 30'	± 20'	± 10'							

APPROVALS	DATE
DRAWN KJG	20 JUL 05
CHECKED --	--
RESP ENG	
MFG ENG	
QUAL ENG	

TITLE: LO-LINX ASSEMBLY		
SIZE A	DWG. NO. 10LOLINXx	REV. 00
SCALE 1:2	CAD FILE MC-Linx Module_Group Assy_020705	SHEET 1 of 2



PROPRIETARY AND CONFIDENTIAL
 THE INFORMATION CONTAINED IN THIS DRAWING IS THE SOLE PROPERTY OF BEA INC. ANY REPRODUCTION IN PART OR AS A WHOLE WITHOUT THE WRITTEN PERMISSION OF BEA, INC. PROHIBITED.

MATERIAL:
 FINISH:
 VENDOR: --

UNLESS OTHERWISE SPECIFIED:
 DIMENSIONS ARE IN MILLIMETERS.
 DO NOT SCALE DRAWING.
 CAD GENERATED DRAWING.
 DO NOT MANUALLY UPDATE.



BEA, INC.
 100 Enterprise Drive
 Pittsburgh, PA 15275
 (412)249-4100
 www.beainc.com

Dimensional Tolerances										
Dimension in mm	>0.5 to 3	> 3 to 6	> 6 to 30	> 30 to 120	> 120 to 400	>400 to 1000	> 1000 to 2000	> 2000 to 4000	> 4000 to 8000	> 8000 to 12000
Tolerance	± 0.1	± 0.1	± 0.2	± 0.3	± 0.5	± 0.8	± 1.2	± 2	± 3	± 4
Angular Tolerance										
Angle	... 10	> 10 to 50	>50 to 120	> 120 to 400						
Tolerance	± 1°	± 30'	± 20'	± 10'						

APPROVALS	DATE
DRAWN KJG	20 JUL 05
CHECKED --	--
RESP ENG	
MFG ENG	
QUAL ENG	

TITLE: MC-LINX ASSEMBLY		
SIZE A	DWG. NO. 10MCLINXx	REV. 00
SCALE 1:2	CAD FILE MC-Linx Module_Group Assy_020705	SHEET 2 of 2