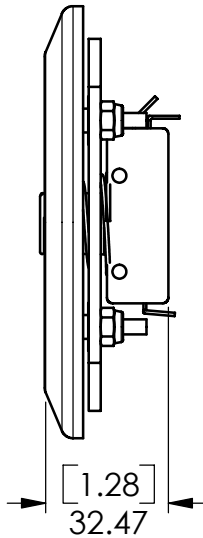
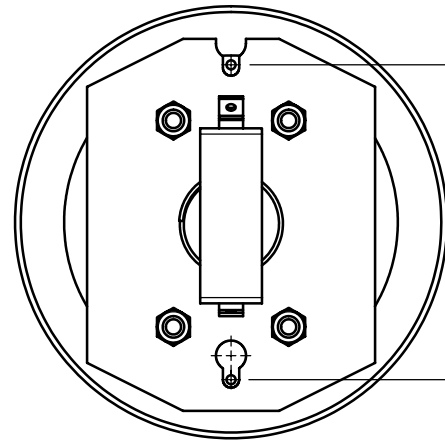


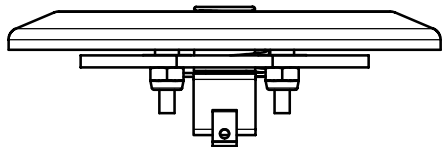
[4.50]
Ø114.30




[1.28]
32.47



[3.28]
83.31



PROPRIETARY AND CONFIDENTIAL THE INFORMATION CONTAINED IN THIS DRAWING IS THE SOLE PROPERTY OF BEA INC. ANY REPRODUCTION IN PART OR AS A WHOLE WITHOUT THE WRITTEN PERMISSION OF BEA, INC. PROHIBITED.		MATERIAL: FINISH: VENDOR:		UNLESS OTHERWISE SPECIFIED: DIMENSIONS ARE IN MILLIMETERS. DO NOT SCALE DRAWING. CAD GENERATED DRAWING. DO NOT MANUALLY UPDATE.		 BEA, INC. 100 Enterprise Drive Pittsburgh, PA 15275 (412)249-4100 www.beainc.com	
		APPROVALS		DATE		TITLE: PBR45x PUSHPLATE	
		BP		7/22/05			
		CHECKED		--			
		RESP ENG					
		MFG ENG				SIZE A DWG. NO. REV.	
		QUAL ENG				SCALE 1:2 CAD FILE: SHEET 1 of 1	

		Dimensional Tolerances									
Dimension in mm	>0.5 to 3	> 3 to 6	> 6 to 30	> 30 to 120	> 120 to 400	>400 to 1000	> 1000 to 2000	> 2000 to 4000	> 4000 to 8000	> 8000 to 12000	
Tolerance	± 0.1	± 0.1	± 0.2	± 0.3	± 0.5	± 0.8	± 1.2	± 2	± 3	± 4	
		Angular Tolerance									
Angle	... 10	> 10 to 50	>50 to 120	> 120 to 400							
Tolerance	± 1°	± 30'	± 20'	± 10'							