

WIZARD-G3

DUAL TECHNOLOGY SENSOR
FOR SLIDING AUTOMATIC DOORS

G3



Standard Cover is Black. Optional: Silver, White, or Bronze

intelliTRACKING

intelli-TRACKING EQUIPPED
QUICK AND EASY SETUP

Innovation
Quality
Service

WWW.BEASENSORS.COM

The new G3 combines Doppler radar for activation and focused active infrared for safety as a solution for sliding doors.

- intelli-Tracking offers:
 - Automatic adaptation to weather conditions and disturbances to increase reliability.
 - Allows the G3 to operate in very harsh environments such as very reflective floors, blizzards, rain, lighting, and pedimats.
 - Two simple one button infrared immunity settings (Normal / High) to solve even the most challenging applications.
- One-way evening mode to meet ANSI for both one-way and two-way traffic with the flip of a switch.
- Factory set to meet almost all applications out of the box

A HALMA COMPANY

BEA
OPEN UP NEW HORIZONS

G3 TECHNICAL SPECS

Supply Voltage
12 – 24 VAC / VDC:
-5% – +10%

Power Frequency
50 / 60 Hz

Power Consumption
< 3 W

Mounting Height:
Standard
5'9" – 8'2"

Maximum
8'2" – 13'

Cable Length
10' of 6 – Conductor Cable

G3 Data Input
10 to 30 VDC

Output Activation Delay
< 1ms

3-Color LED:
Red
Presence Detection

Green
Motion Detection

Orange
Monitoring Process

Housing Color
Anthracite Black,
Silver, Bronze, or
White Finish

Temperature Range
-30°F – +131°F

Degree of Protection
NEMA 3S / (IP54)

Product Conformity
R&TTE 1999/5/EC &
EMC 89/336/EEC
BZT Germany, TÜV

Dimensions
10.4" x 2.2" x 1.9"

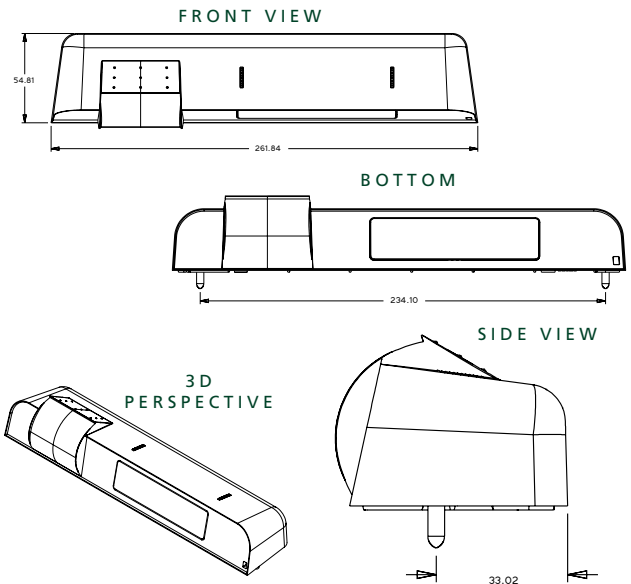
Weight
.55 lbs / 250 g

Housing Material
ABS & LURAN S

intelli-TRACKING –

Whenever there is a change in any kind of weather/condition, the G3 will quickly adapt to differentiate between background noise and desired objects for an added degree of safety and reliability.

G3 DETAILS



G3 FAMILY OF PRODUCTS



10WCA -
Ceiling Adapter



10WMB -
Mounting Bracket



10WRC -
Clear Rain Cover



40.0788 -
Bronze Cover

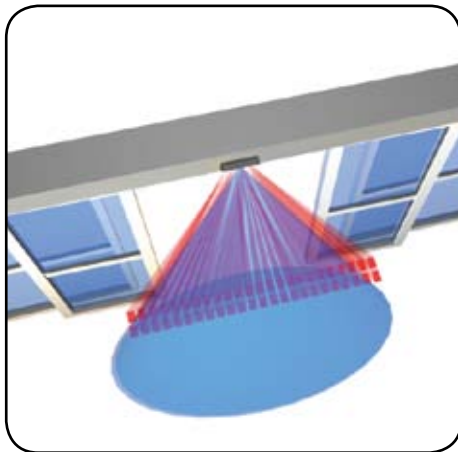


35.0103 -
Silver Cover



35.0102 -
White Cover

G3 OPERATIONS



- The G3 will provide optimal safety in the threshold area with two rows of 24 focused infrared spots (RED) while ensuring accurate detection in front of the door with K-Band microwave technology (BLUE) for activation.
- The microwave antenna can be adjusted for either a wide or narrow pattern of detection. This pattern can be angled from 0° – 45° to achieve the desired sensing range.
- The infrared pattern can be adjusted to offer 2 curtains of 24 spots (wide pattern) or 2 curtains of 12 spots (narrow pattern). The spot finder can be used to find the best position from the door.

RELATED PRODUCTS



Remote Control
Easy and accurate setup of sensor. Used primarily for the G3, Falcon, IS40 and Iris.



Spotfinder
Active IR spot finder for Iris and G3. Shows an accurate IR location for install and maintenance



Iris
Dual curtain Active IR presence sensor for sliding door applications



Eagle
Flat antenna motion detector



Br3
Programmable 3 Relay logic module with 12 selectable functions

BEA Inc.
RIDC Park West
100 Enterprise Drive
Pittsburgh, PA 15275-1213

PHONE: 1 800.523.2462
FAX: 1 888.523.2462

BEA West
Arrow Highway Corporate Center
190 E. Arrow Hwy, Suite A
San Dimas, CA 91773-3314

PHONE: 1 800.523.2462
FAX: 1 888.523.2462

BEA Latin America
Mexico / Caribbean
190 E. Arrow Hwy, Suite A
San Dimas, CA 91773-3314

PHONE: 1 800.711.1398
FAX: 1 888.523.2462



OPEN UP NEW HORIZONS