



PB024 : Perfect fit in a single gang box

*BEA's push plate allows easy installation for both new jobs and existing applications. Its sleek design will fit on all single mounting boxes.*

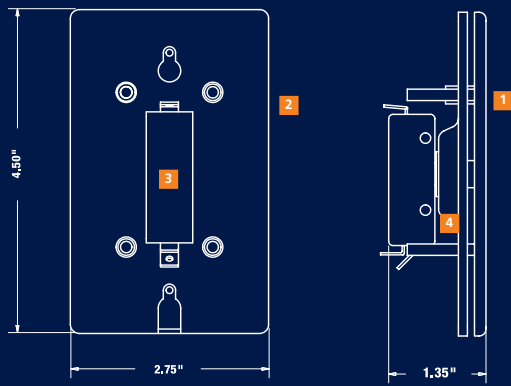
**A Plate Revolution, Now!**

[www.beasensors.com](http://www.beasensors.com)

**PBO24 Series**

## Stainless Steel Single Gang Style Push Plates

- Universal application for a single gang box as it is a "light switch" size push plate
- Perfect for gang boxes that are too close to a door frame for a full square push plate
- Beveled edges provide a tamper and vandal proof solution to your push plate needs, allowing no room to get objects between plate and box
- An all-active plate activates with any "push" location
- Stainless steel finish will not deteriorate/rust where it is touched and is scratch and scuff resistant
- Text and logo are baked onto the surface for leading durability
- Screws come in multiple sizes (#6), which fit single gang mounting boxes
- Weather boot between plate and back plate for all weather applications
- Lifetime warranty allows you to save money in the long run



## Components

- 1 Front Plate
- 2 Back Plate
- 3 Cherry Switch
- 4 Weatherboot

## Technical Specifications/ Mounting Hardware

- a. 16 gauge, 304 2B Stainless Steel Faceplate
- b. 1/8" thick, Aluminum Backplate
- c. Stainless Steel 6-32 x 1" Allen head mounting screws
- d. Cherry Switch: Single-pole, 15A, COM/ NO/ NC contacts
- e. 5/64" Allen key removes 6-32 mounting screws

## Custom Specifications

BEA proposes a variety of custom solutions for your push plates:

**Abrasive Etching/Engraved** – This method creates a very accurate and deep "scratch" in the plate that is then filled with paint to create the custom logo/text on the surface of the plate.

**Pad Printed** – Logo/text is actually stamped onto the surface of the steel plate using a special pad. The logo is only printed on the surface of the plate.

**Embossing** – This process requires the use of a special tool designed to punch the back of the face plate with the custom information. A special coating is added to create a dramatic 3D embossing for your push plate.

## Contact Information

**BEA Inc.**  
 RIDC Park West  
 100 ENTERPRISE DRIVE  
 PITTSBURGH, PA 15275

PHONE 1-412-249-4100  
 FAX 1-888-523-2462  
 TOLL FREE 1-800-5 BEA INC

**BEA West**  
 190 East  
 Arrow Highway Suite A  
 San Dimas, CA 91773-3314  
 FAX 1-888-523-2462  
 TOLL FREE 1-877-232-9378

[www.beasensors.com](http://www.beasensors.com)

## PBO24 Series



PBO241 - Text and Logo



PBO24L - Logo only

## Mounting Components

Standard electrical single gang box

