

8 7 6 5 4 3 2 1

D

D

C

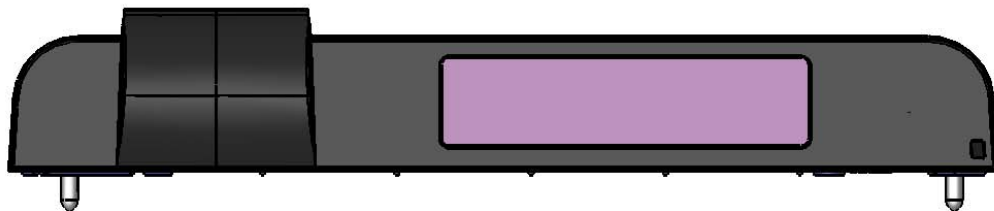
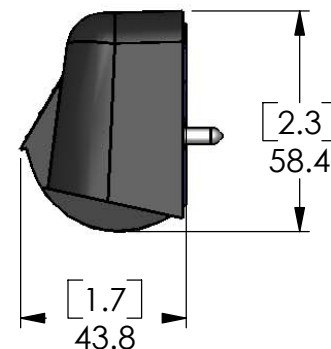
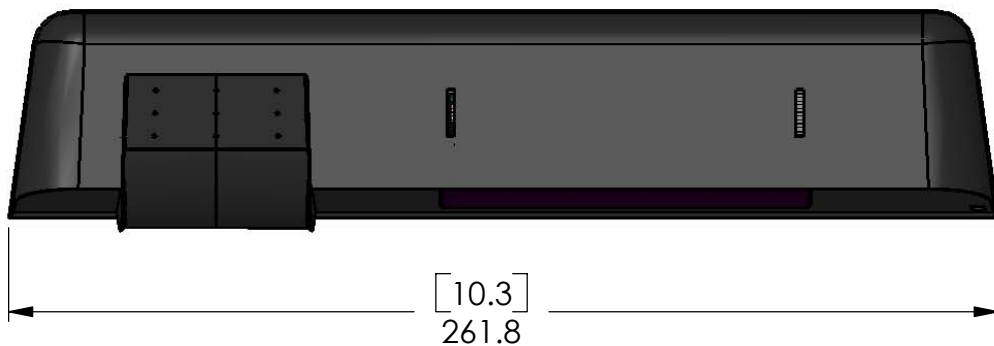
C


B

B

A

A



<p>PROPRIETARY AND CONFIDENTIAL THE INFORMATION CONTAINED IN THIS DRAWING IS THE SOLE PROPERTY OF BEA INC. ANY REPRODUCTION IN PART OR AS A WHOLE WITHOUT THE WRITTEN PERMISSION OF BEA, INC. PROHIBITED.</p>	<p>MATERIAL: FINISH: VENDOR:</p>		<p>UNLESS OTHERWISE SPECIFIED: DIMENSIONS ARE IN MILLIMETERS. DO NOT SCALE DRAWING. CAD GENERATED DRAWING. DO NOT MANUALLY UPDATE.</p>			<p>BEA, INC. 100 Enterprise Drive Pittsburgh, PA 15275 (412)249-4100 www.beainc.com</p>																																																								
	<table border="1"> <thead> <tr> <th colspan="8">Dimensional Tolerances</th> </tr> <tr> <th>Dimension in mm</th> <th>>0.5 to 3</th> <th>> 3 to 6</th> <th>> 6 to 30</th> <th>> 30 to 120</th> <th>> 120 to 400</th> <th>>400 to 1000</th> <th>> 1000 to 2000</th> <th>> 2000 to 4000</th> <th>> 4000 to 8000</th> <th>> 8000 to 12000</th> </tr> </thead> <tbody> <tr> <td>Tolerance</td> <td>± 0.1</td> <td>± 0.1</td> <td>± 0.2</td> <td>± 0.3</td> <td>± 0.5</td> <td>± 0.8</td> <td>± 1.2</td> <td>± 2</td> <td>± 3</td> <td>± 4</td> </tr> </tbody> </table>		Dimensional Tolerances								Dimension in mm	>0.5 to 3	> 3 to 6	> 6 to 30	> 30 to 120	> 120 to 400	>400 to 1000	> 1000 to 2000	> 2000 to 4000	> 4000 to 8000	> 8000 to 12000	Tolerance	± 0.1	± 0.1	± 0.2	± 0.3	± 0.5	± 0.8	± 1.2	± 2	± 3	± 4	<table border="1"> <thead> <tr> <th colspan="4">Angular Tolerance</th> </tr> <tr> <th>Angle</th> <th>... 10</th> <th>> 10 to 50</th> <th>>50 to 120</th> <th>> 120 to 400</th> </tr> </thead> <tbody> <tr> <td>Tolerance</td> <td>± 1°</td> <td>± 30'</td> <td>± 20'</td> <td>± 10'</td> </tr> </tbody> </table>		Angular Tolerance				Angle	... 10	> 10 to 50	>50 to 120	> 120 to 400	Tolerance	± 1°	± 30'	± 20'	± 10'	<table border="1"> <tr> <th>APPROVALS</th> <th>DATE</th> </tr> <tr> <td>DRAWN</td> <td></td> </tr> <tr> <td>CHECKED</td> <td>--</td> </tr> <tr> <td>RESP ENG</td> <td></td> </tr> <tr> <td>MFG ENG</td> <td></td> </tr> <tr> <td>QUAL ENG</td> <td></td> </tr> </table>	APPROVALS	DATE	DRAWN		CHECKED	--	RESP ENG		MFG ENG		QUAL ENG		<p>TITLE: WIZARD ASSEMBLY</p>
Dimensional Tolerances																																																														
Dimension in mm	>0.5 to 3	> 3 to 6	> 6 to 30	> 30 to 120	> 120 to 400	>400 to 1000	> 1000 to 2000	> 2000 to 4000	> 4000 to 8000	> 8000 to 12000																																																				
Tolerance	± 0.1	± 0.1	± 0.2	± 0.3	± 0.5	± 0.8	± 1.2	± 2	± 3	± 4																																																				
Angular Tolerance																																																														
Angle	... 10	> 10 to 50	>50 to 120	> 120 to 400																																																										
Tolerance	± 1°	± 30'	± 20'	± 10'																																																										
APPROVALS	DATE																																																													
DRAWN																																																														
CHECKED	--																																																													
RESP ENG																																																														
MFG ENG																																																														
QUAL ENG																																																														
<p>SIZE A</p>		<p>DWG. NO. 10WIZARD</p>		<p>REV.</p>																																																										
<p>SCALE 1:1</p>		<p>CAD FILE: Assy New Activ8-Wzd3</p>				<p>SHEET 1 of 1</p>																																																								

8 7 6 5 4 3 2 1